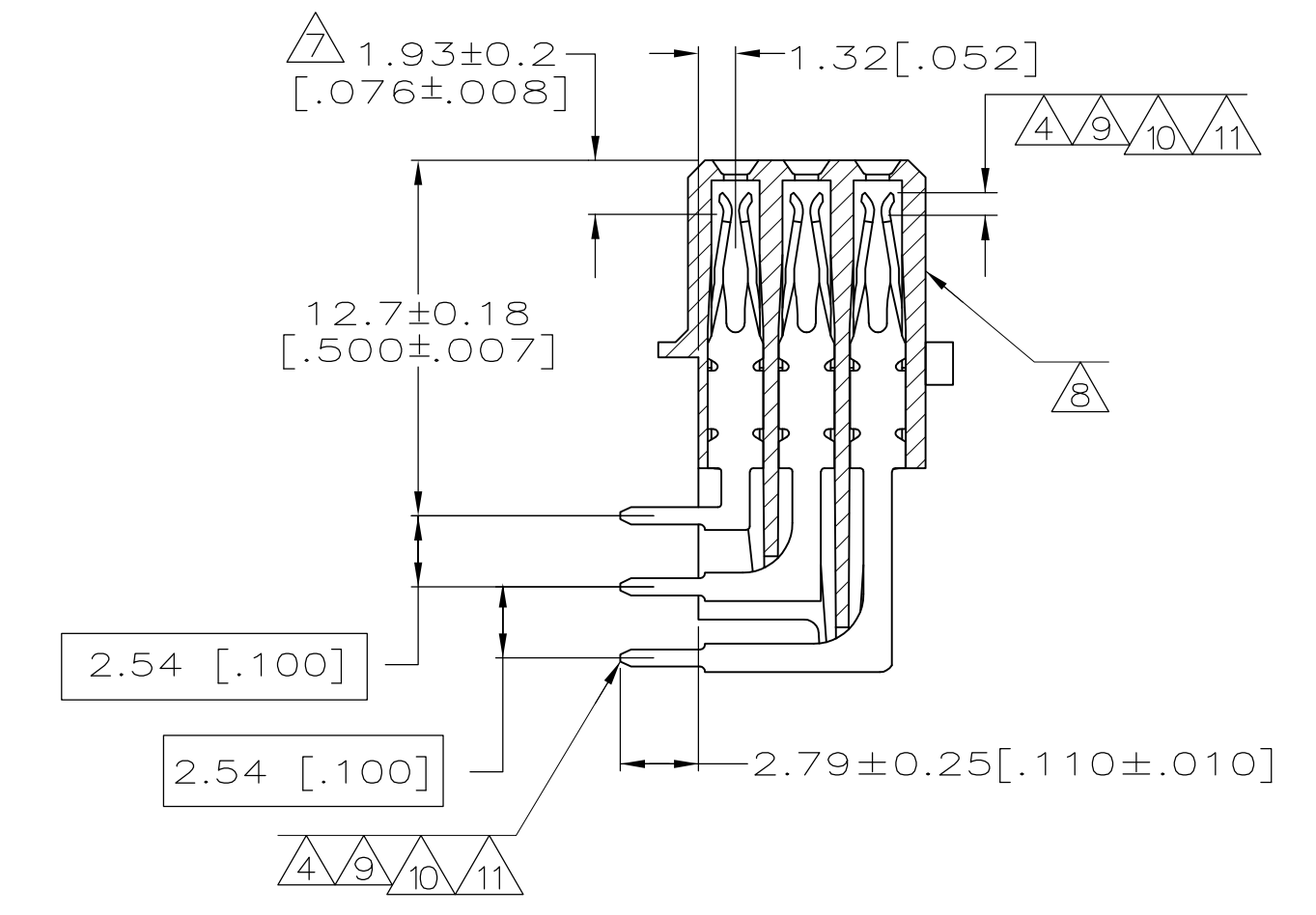
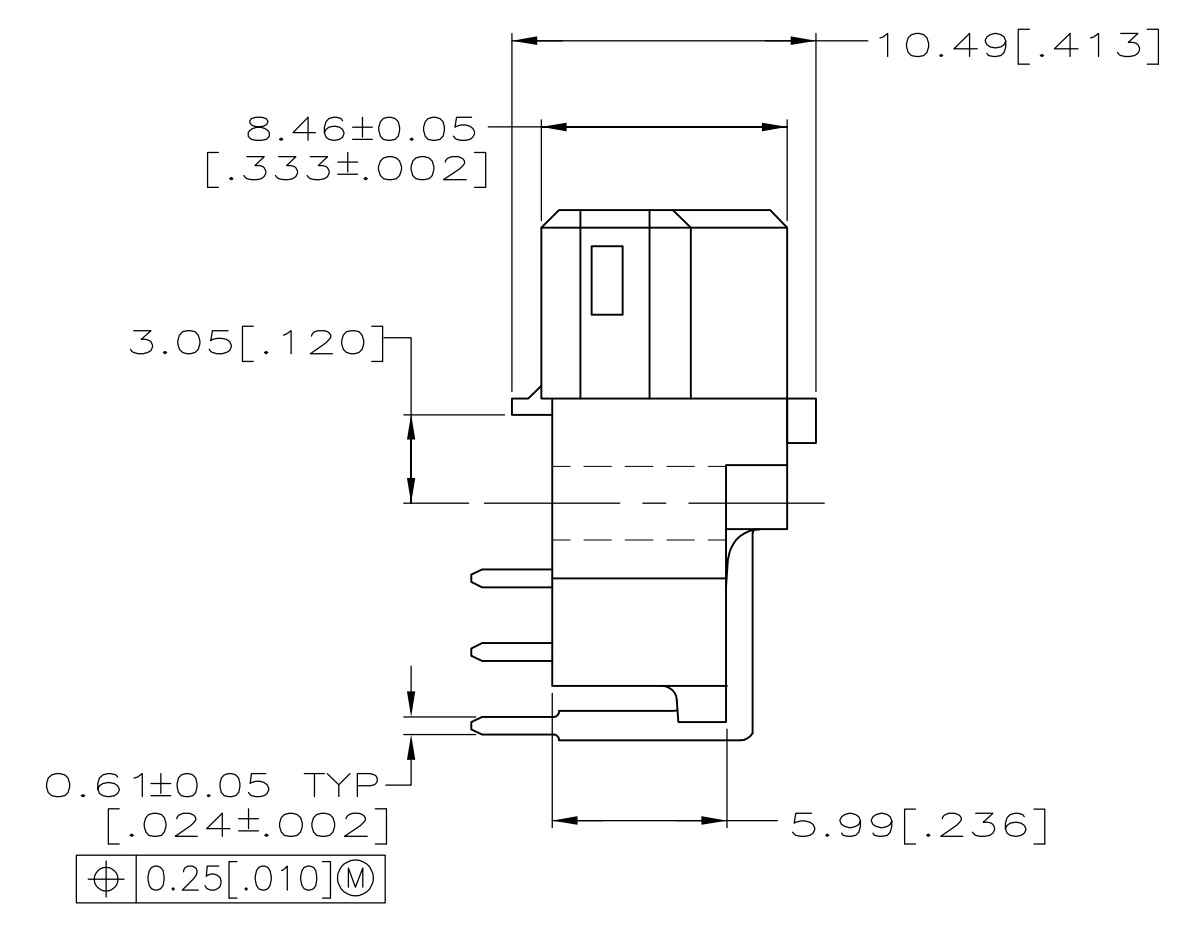
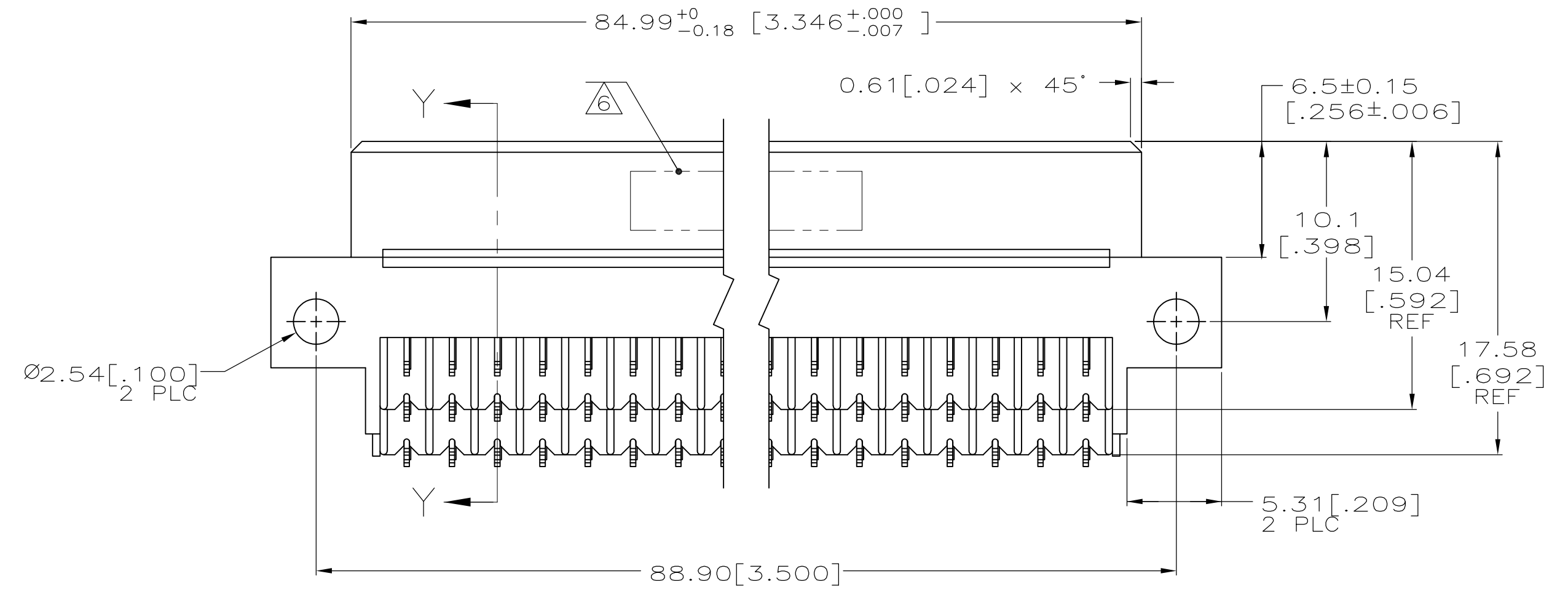
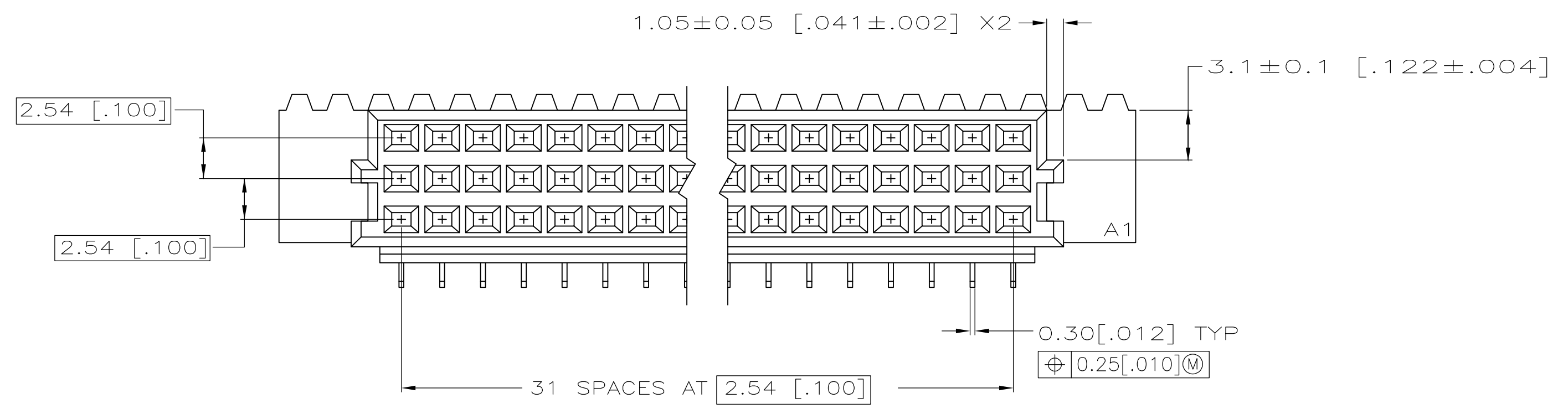
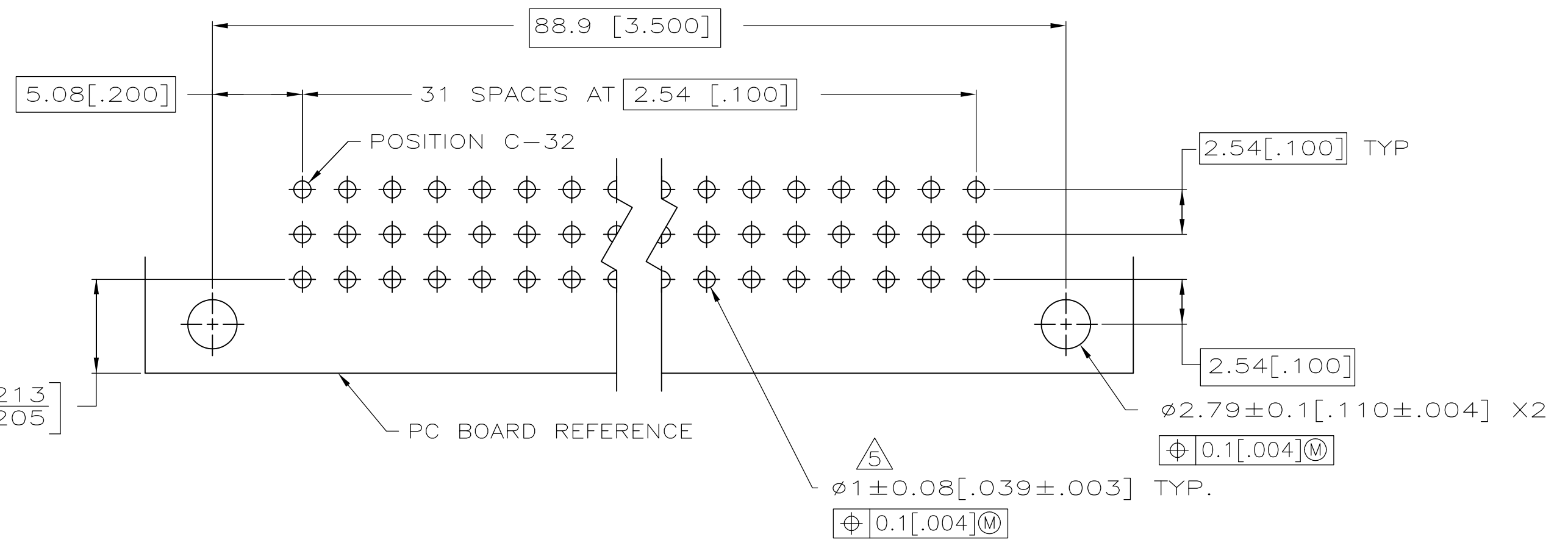
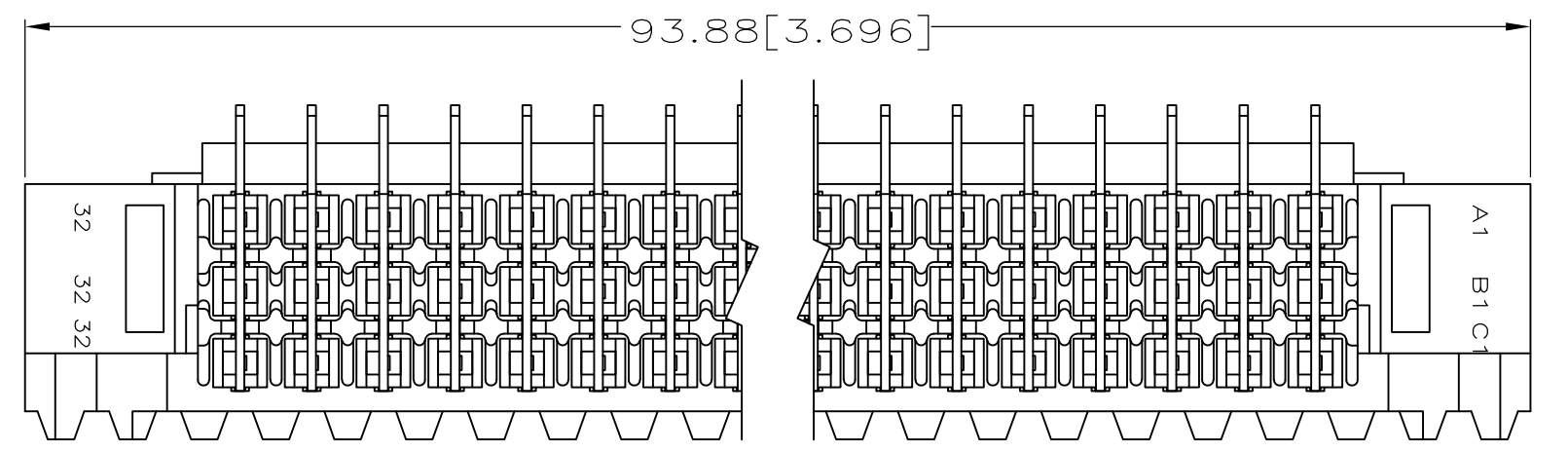


LOC		DIST		REVISONS			
AD	25	P	LTR	DESCRIPTION	DATE	OWN	APPD
		S1		REVISED PER ECO-11-004835	11MAR11	RK	HMR

1. DIMENSIONS IN BRACKETS ARE IN INCHES.
2. HOUSING MATERIAL: GLASS-FILLED POLYESTER. COLOR: GRAY.
3. CONTACT MATERIAL: PHOSPHOR BRONZE.
4. CONTACT FINISH: 0.00076[.000030] GOLD IN CONTACT AREA. 0.00127[.000050] NICKEL UNDERPLATE ALL OVER. TIN-LEAD ON POSTS.
5. RECOMMENDED HOLE SIZE FOR MANUAL APPLICATION OF CONNECTOR ONTO PC BOARD.
6. PART NUMBER, DATE CODE IDENTIFICATION, CSA LOGO HOT-STAMPED THIS APPROXIMATE AREA.
7. CONTACT POINT.
8. HOT-STAMPING ON THIS SIDE.
9. CONTACT FINISH: DIN 41612 CLASS 3 IN CONTACT AREA. TIN-LEAD ON POSTS.
10. CONTACT FINISH: 0.00127[.000050] GOLD IN CONTACT AREA. 0.00127[.000050] NICKEL UNDERPLATE ALL OVER. TIN-LEAD ON POSTS.
11. CONTACT FINISH: DIN 41612 CLASS 2 IN CONTACT AREA. TIN-LEAD ON POSTS.



SECTION Y-Y



PC BOARD LAYOUT

OBSOLETE	9	1 THRU 32	X	X	X	96	650461-9
OBSOLETE	11	1 THRU 32	X	X	X	96	650461-6
	11	1 THRU 32	X	X	X	96	650461-5
	4	1 THRU 32	X	X	X	96	650461-4
OBSOLETE	10	1 THRU 32	X	X	X	96	650461-1
NOTES		POSITIONS LOADED	C	B	A	NO. OF LOADED POSITION	ASSY PART NUMBER
THIS DRAWING IS A CONTROLLED DOCUMENT.		DWN L. BRINER 13MAR90		CHK N. DRASHER 24OCT90		APVD N. DRASHER 24OCT90	
DIMENSIONS: mm(INCHES)		TOLERANCES UNLESS OTHERWISE SPECIFIED:		NAME		STE TE Connectivity	
Ø		0 PLC ± -		PRODUCT SPEC		ASSEMBLY, RECEPTACLE, EUROCARD, TYPE R, 96 POSITION	
Ø		2 PLC ± -		APPLICATION SPEC		SIZE CAGE CODE DRAWING NO	
Ø		3 PLC ± -		WEIGHT		A1 00779 C=650461	
Ø		4 PLC ± 0.13(.005)		SCALE		4:1 SHEET 1 OF 1 REV S1	
Ø		ANGLES ± -		CUSTOMER DRAWING			